

SIGNATURE SERIES

24-VOLT 6-CHANNEL AMPLIFIER



SIGNATURE SERIES
24-VOLT 6-CHANNEL MARINE AMPLIFIER

SIGNATURE SERIES 24-VOLT 6-CHANNEL AMPLIFIER



PRODUCT OVERVIEW

MARINE AMPLIFIER FOR 24-VOLT ELECTRICAL SYSTEMS

The new **Signature Series 24-volt 6-channel marine amplifier** is designed for boats operating on 24-volt electrical systems. With a peak power of 1,500 watts, it provides sufficient power delivery to your onboard audio entertainment, bringing your music to life.

Purpose-built for the marine environment, the Signature Series 24-volt amplifier features impressive environmental protection and delivers premium performance on the water that is a signature of Fusion.

CLASS-D AMPLIFIER TECHNOLOGY

Enjoy your music longer, and take your audio entertainment experience to a new level with an amplifier that is built for performance. The highly efficient Class-D design draws less current than a standard Class-AB amplifier, providing increased efficiency and power output to your speakers and subwoofers.

MARINE-READY DESIGN WITH CONFORMAL-COATED PCBs

The Signature Series amplifier is designed specifically for marine use with conformal-coated PCBs to provide extra protection from the marine environment, extending the life of your system.

RIGID ALUMINUM ALLOY HEAT SINK

Molded to form a singular die-cast chassis, the fin layout is calculated with precision to increase the surface area of the heat sink and improve heat dissipation.

STAINLESS MIRROR FINISH

The polished stainless steel control panel cover conceals and helps protect all cable connections and the settings control panel while providing an attractive finish to complement any installation.

SPEAKER CONFIGURATION

Whether you require 2 ohms per channel or 4 ohms bridged, your Signature Series amplifier has your installation options covered to achieve optimum output levels for your system.

Configurable for a minimum of 2 ohms per channel, this 6-channel amplifier will power up to 6 pairs of speakers at 2 ohms (2 x 4 ohm speakers per channel in parallel) or up to 4 pairs of speakers at 2 ohms (2 x 4 ohm speakers per channel in parallel) and 1 subwoofer.

ZONE DESIGNATION

To align with the Fusion entertainment system zone philosophy, the input and output connections are labeled as zones for intuitive setup.

TRUE-MARINE™ PHILOSOPHY

True-Marine design philosophy from Fusion stems from our collective experience confronting the harsh marine environment. By designing and engineering from the ground up specifically for real-world boating applications, our customers are assured that the equipment they fit into their boat will deliver quality entertainment season after season.

PRODUCT IMAGES



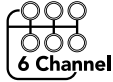
KEY FEATURES

The new **Signature Series 24-volt amplifier**, one of our most stunning, efficient and powerful marine amplifiers, delivers the ultimate audio experience, featuring:

KEY FEATURE

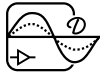


Designed for boats operating on 24-volt electrical systems, the Signature Series 24-volt amplifier provides sufficient power delivery to your onboard audio entertainment. The plug-and-play setup allows for easy installation without the need for an additional power adaptor.



Configurable for a minimum of 2 ohms per channel, this 6-channel amplifier can power up to 6 pairs of speakers at 2 ohms (2 x 4 ohm speakers per channel in parallel) or up to 4 pairs of speakers at 2 ohms (2 x 4 ohm speakers per channel in parallel) and 1 subwoofer.

KEY FEATURE



Class-D amplifier delivers a higher efficiency and greater output, meaning you can listen to your music longer at higher volumes without worrying about battery drain.

KEY FEATURE



True-Marine™ design philosophy from Fusion stems from our experience confronting the harsh marine environment. By designing and engineering from the ground up specifically for real-world boating applications, our customers are assured that the equipment they fit into their vessel will deliver quality entertainment season after season.



1,500-watt peak power



The Signature Series amplifier is designed specifically for marine use with conformal-coated PCBs to provide extra protection from the marine environment, extending the life of your system.



Molded to form a singular die-cast chassis, the fin layout is calculated with precision to increase the surface area of the heat sink and improve heat dissipation.



The polished stainless steel control panel cover conceals and helps protect all cable connections and the settings control panel while providing an attractive finish to complement any installation.



To align with the Fusion entertainment system zone philosophy, the input and output connections are labeled as zones.

SG-24DA61500 PRICING

Product	Description	MSRP (USD)
SG-24DA61500	24-volt Signature Series 6-channel 1500-watt marine amplifier	\$649.99

PRODUCT COMPATIBILITY

SPEAKERS AND SUBWOOFERS



SIGNATURE SERIES 3 SPEAKERS AND SUBWOOFERS

Featuring stunning signature acoustic performance and industry-first CRGBW LED lighting, the Signature Series 3 speakers and subwoofers are the premium flagship range from Fusion. Available in 3 speaker sizes (6.5", 7.7" and 8.8") and 10" subwoofers, they incorporate the finest materials and latest acoustic technologies to deliver an unparalleled listening experience.



XS SERIES SPEAKERS AND SUBWOOFERS

The XS Series speakers and subwoofers are designed to deliver high-performance acoustics and enhanced aesthetics with RGB LED lighting – all at a midrange price point. Available in 6.5" and 7.7" speakers and 10" subwoofers, they are acoustically optimized for an excellent on-water audio experience.



FM SERIES SPEAKERS AND SUBWOOFERS

The FM Series speakers and subwoofers feature an innovative flush mount design with a mounting profile no thicker than 2.5 mm [3/32"] for a near-flat finish. Available in 6.5" and 7.7" speakers and 10" subwoofers, they are designed to deliver quality acoustics in a sleek and minimalistic aesthetic to meet the latest boat design trends.

TECHNICAL SPECIFICATIONS

		SG-24DA61500
General	Peak Power (Watts)	1,500 W
	Amplifier Class	Class-D
	Frequency Response	10 Hz to 40 kHz (-3 dB, dB @ 4 ohm rated power)
	Total Rated Power Output (4 Ohm)	100 W RMS x 6 @ 28.8 V input < 1% THD
	Total Rated Power Output (2 Ohm)	140 W RMS x 6 @ 28.8 V input < 1% THD
	Total Rated Power Output (4 Ohm Bridged)	280 W RMS x 3 @ 28.8 V input < 1% THD
	Input Sensitivity	0.3 V to 8 V RMS, user adjustable
	Input Impedance	7K ohm nominal
	High-pass/Low-pass Full-range Filter	Yes, user selectable
	Filter Crossover Frequency	32 Hz to 320 Hz, user adjustable
	Bass Boost	0 to 9 dB, user adjustable (zone 3 only)
	Operating Voltage	21.6 V to 32 V DC
	Remote Switch On	Yes - 6 V threshold
	Current Consumption (Standby)	< 1 mA @ 28.8 V input
	Current Consumption (Idle)	< 1.25 A @ 28.8 V input
	Current Consumption (Max)	35 A @ 28.8 V input
	Fuse Rating	3 x 20 A ATC blade type (SAE J1171-compliant)
	Protection Circuits	Reverse-voltage, input under/over voltage, over-temperature, output short-circuit
	Operating Temperature Range	0 °C to 50 °C (32 °F to 122 °F)
	Ingress Protection Rating	Dry area installation only
Installation	Dimensions (L x W x H)	420 mm [16-9/16"] x 210 mm [8-1/4"] x 57 mm [2-1/4"]
	Weight	5.15 kg (11.35 lb) with cover
	Warranty	3 years

LEGAL INFORMATION

GIFT BOX DIMENSIONS

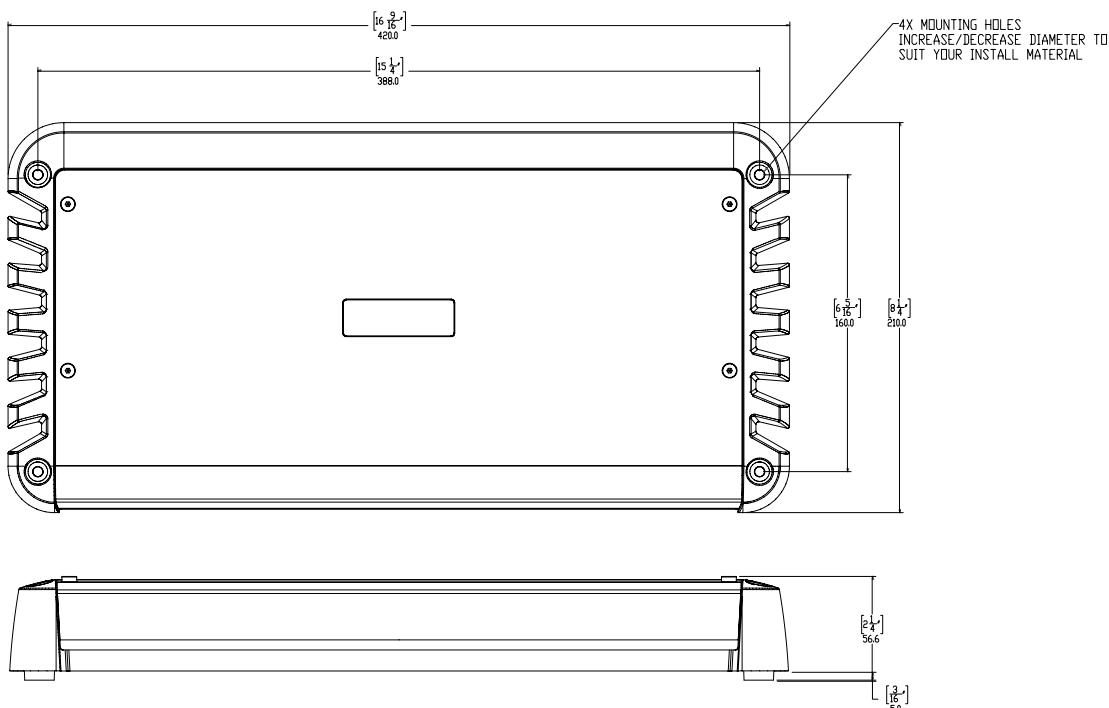


(W) 480 mm [18-7/8"]
(H) 113 mm [4-7/16"]
(D) 273 mm [10-3/4"]

PRODUCT CODES

FUSION CODE	GARMIN PN	EAN-13 BARCODE
SG-24DA61500	010-02556-00	0753759268497

TECHNICAL DRAWINGS

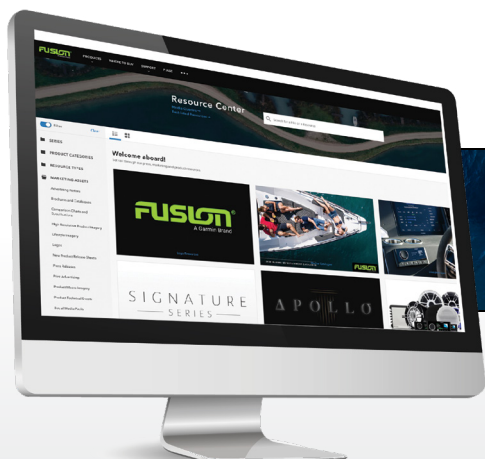


MARKETING RESOURCES

Visit

FUSIONENTERTAINMENT.COM/RESOURCES

Visit the **Resource Center**, and get the latest articles, marketing assets, industry news and more.



Logos
Product images
Merchandising

Line drawings
Web banners
Posters

Brochures
Catalogs
NPRs